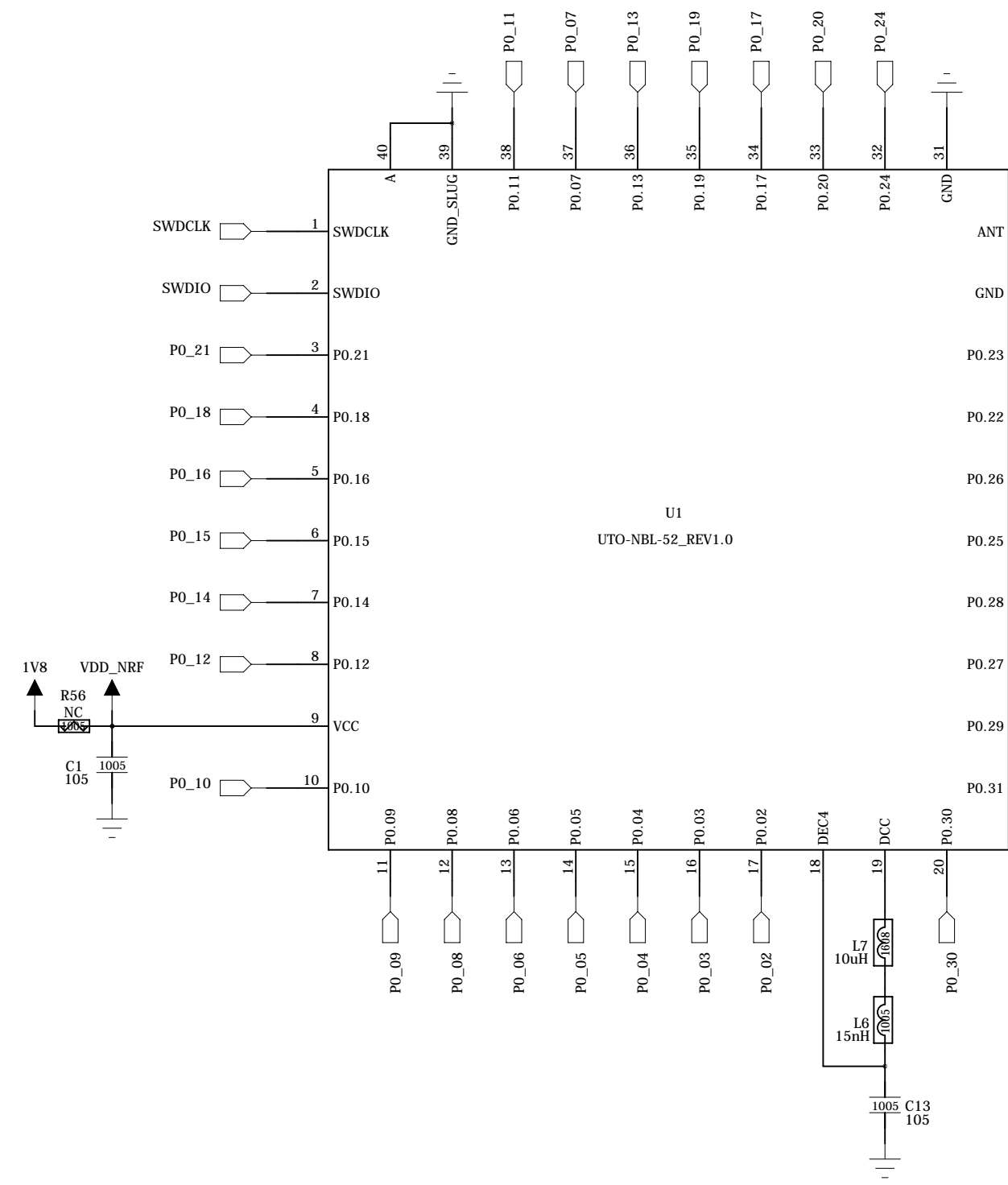


REVISION RECORD			
LTR	ECO NO	APPROVED	DATE

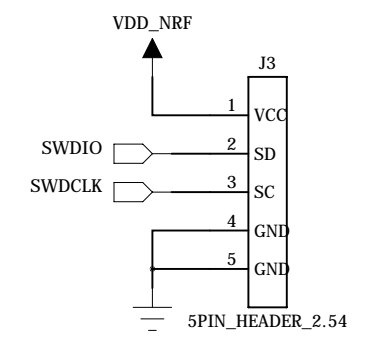
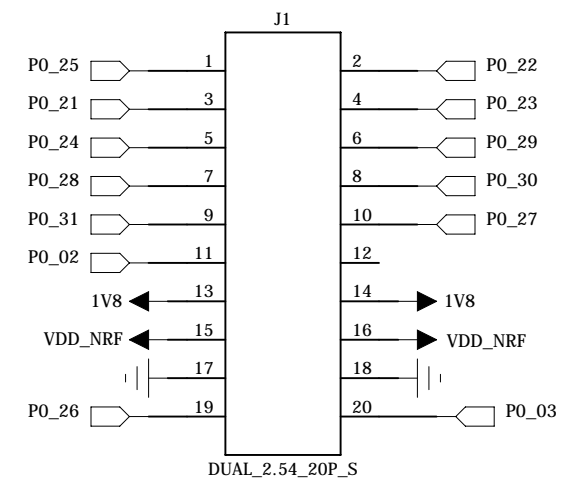
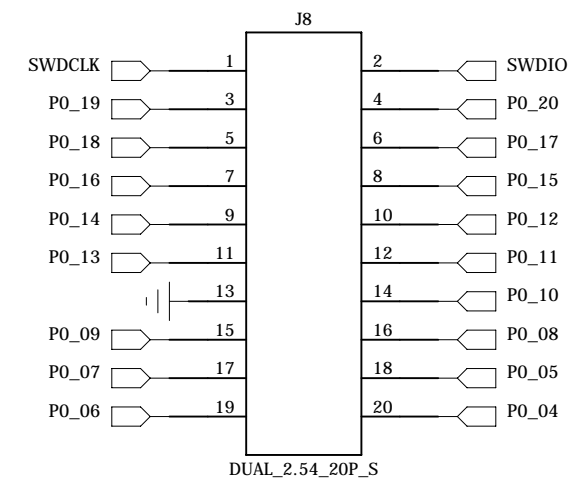


Note
Recommant "C2" 1pF for TX Sprious supress

Power Mode

	L6	L7
LDO Mode	X NC	X NC
DC-DC Mode	O 15nH	O 10uH

Note
L7 Chip inductor : IDC,min 50mA



DRAWN:	DATED:	COMPANY: UTOVERTEK			
CHECKED:	DATED:	TITLE: UTO-NBL-52A_SUB Board Rev 1.0			
APPROVED:	DATED:	CODE:	SIZE: A3	DRAWING NO:	REV: 01
RELEASED:	DATED:	SCALE:			SHEET: 1 OF 1

