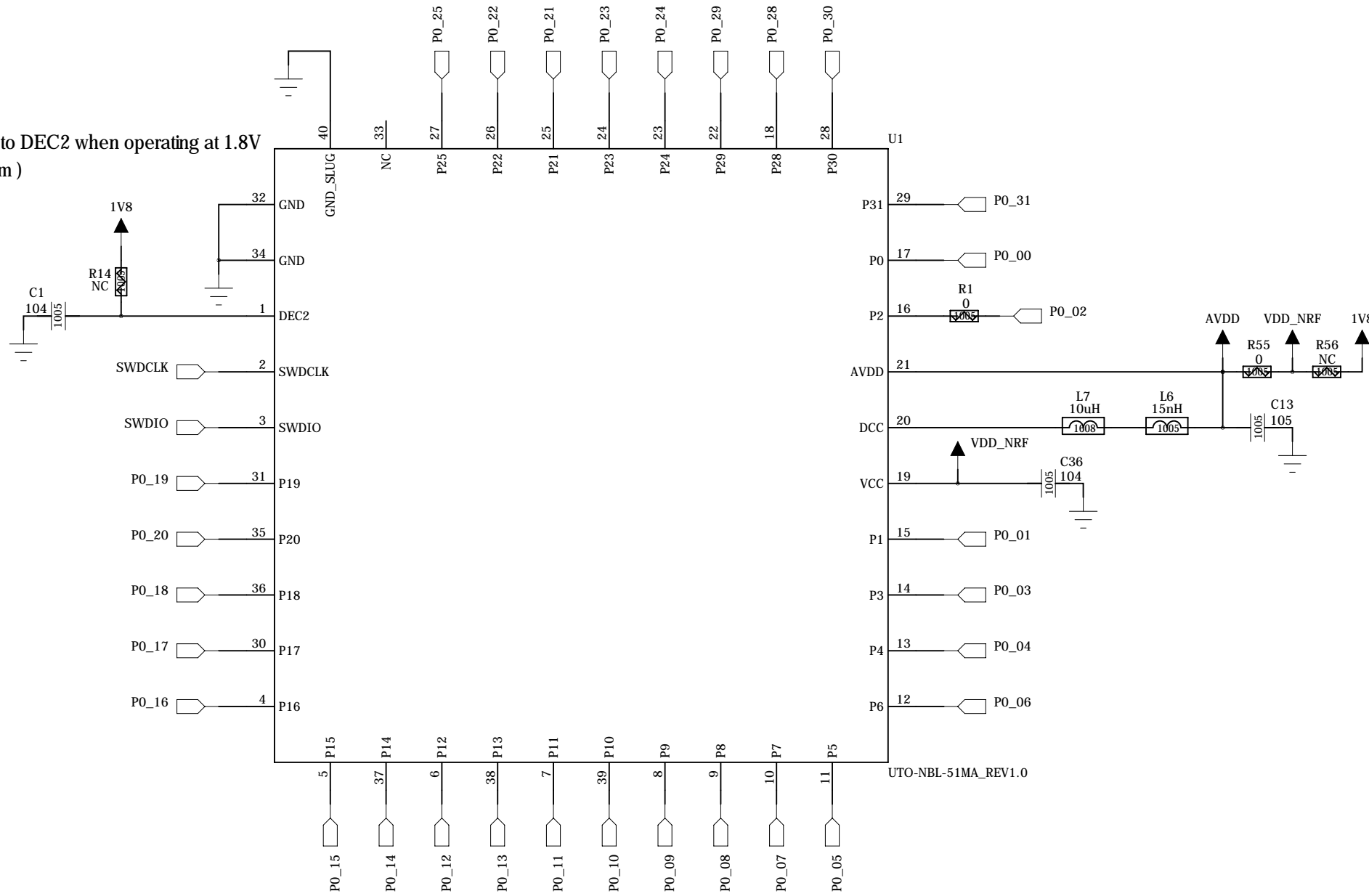


REVISION RECORD			
LTR	ECO NO	APPROVED	DATE

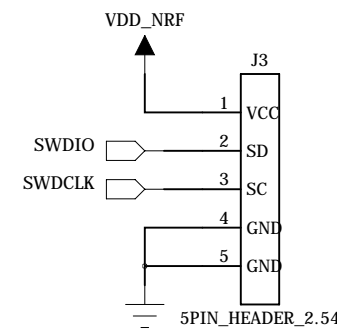
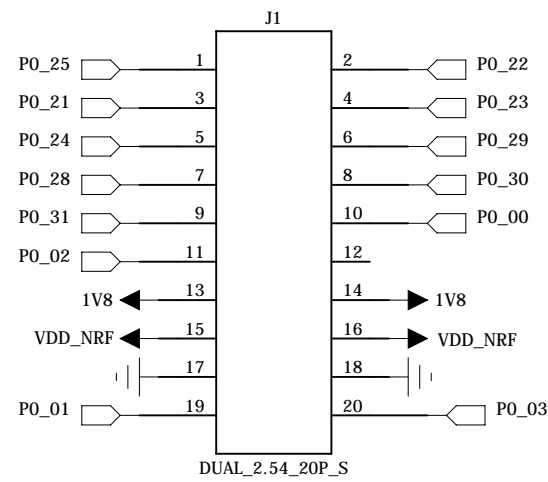
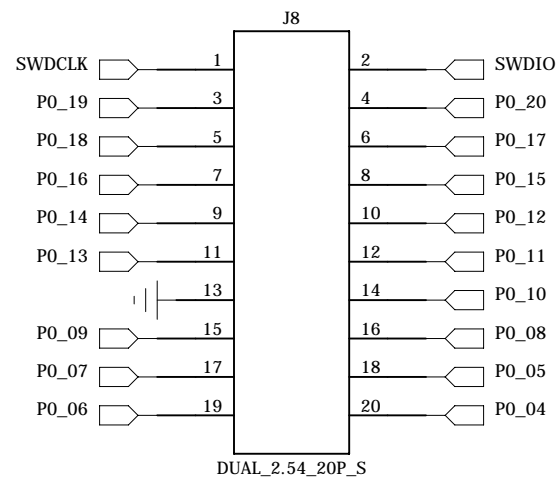
Note
Supply 1.8V to DEC2 when operating at 1.8V
(R14 = 0 ohm)



Power Mode

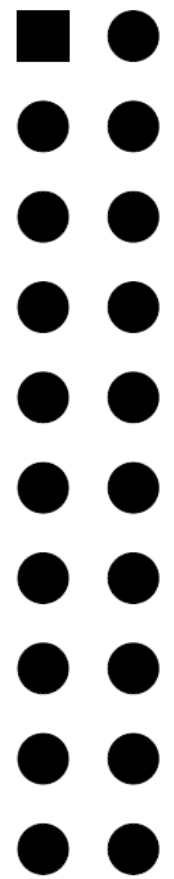
	L6	L7
LDO Mode	X NC	X NC
DC-DC Mode	O 15nH	O 10uH

Note
L7 Chip inductor : IDC,min 50mA

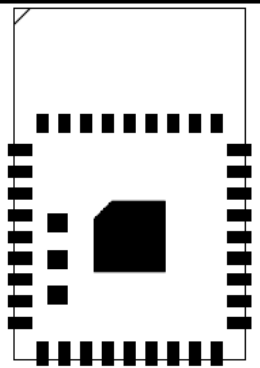


DRAWN:	DATED:	COMPANY: UTOVERTEK			
CHECKED:	DATED:	TITLE: UTO-NBL-51MA_SUB_Board Rev 1.0			
APPROVED:	DATED:	CODE:	SIZE: A3	DRAWING NO:	REV: 01
RELEASED:	DATED:	SCALE:			SHEET: 1 OF 1

SWDCLK SWDIO
P0.19 P0.20
P0.18 P0.17
P0.16 P0.15
P0.14 P0.12
P0.13 P0.11
GND P0.10
P0.09 P0.08
P0.07 P0.05
P0.06 P0.04



J8

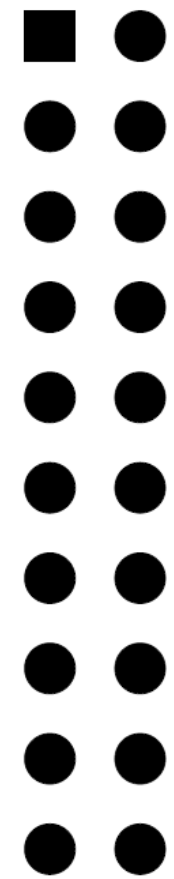
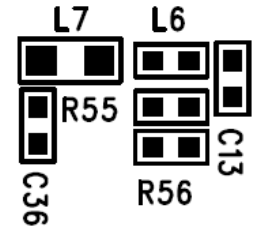


U1



R1

J1



P0.25 P0.22
P0.21 P0.23
P0.24 P0.29
P0.28 P0.30
P0.31 P0.00
P0.02 NC
1.8V 1.8V
3V 3V
GND GND
P0.01 P0.03

J3

GND GND SWDCLK SWDIO VCC



UTO-NBL-51MA Rev1.1