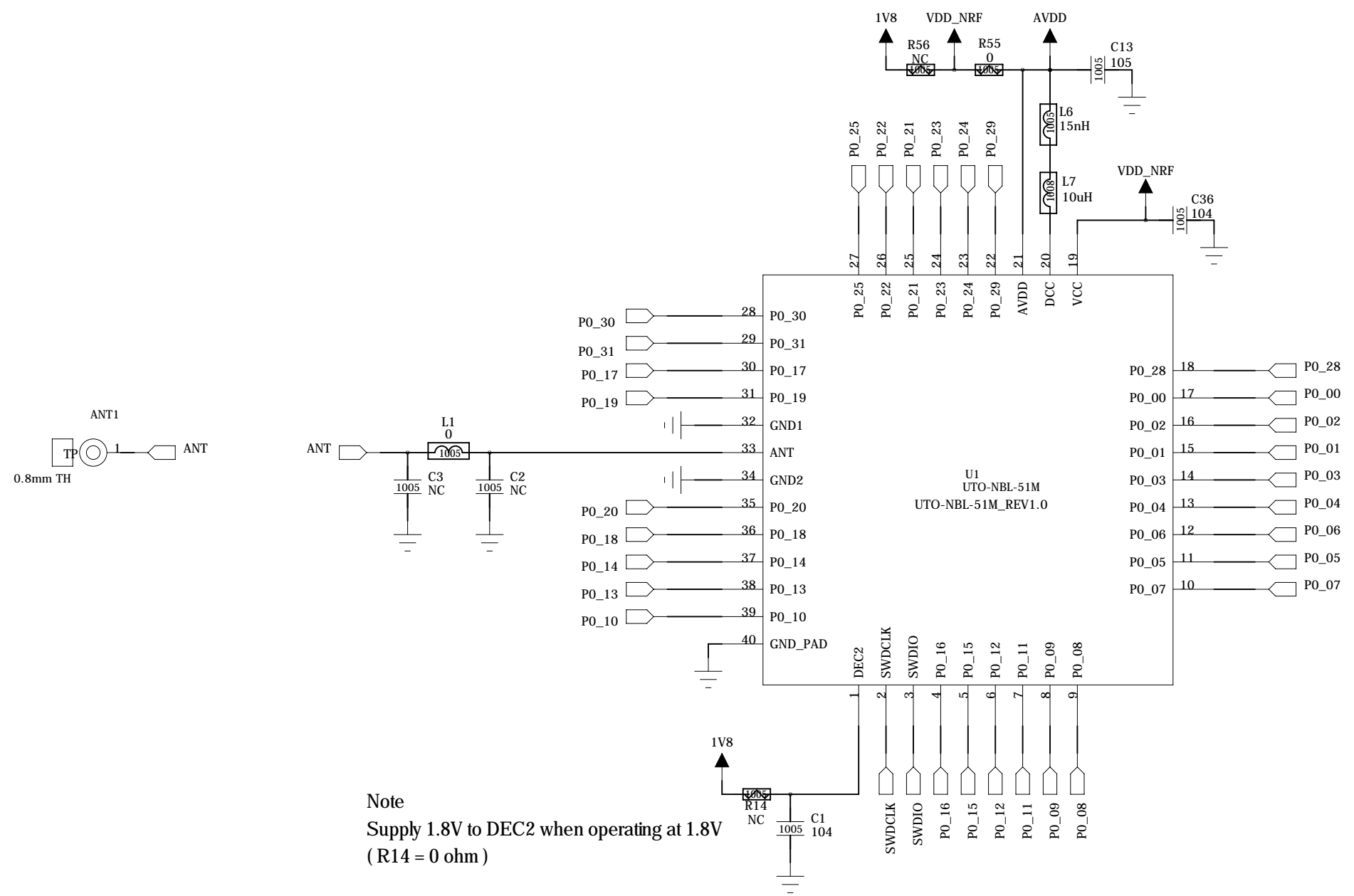


REVISION RECORD			
LTR	ECO NO	APPROVED	DATE

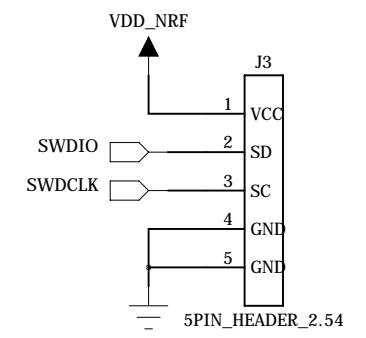
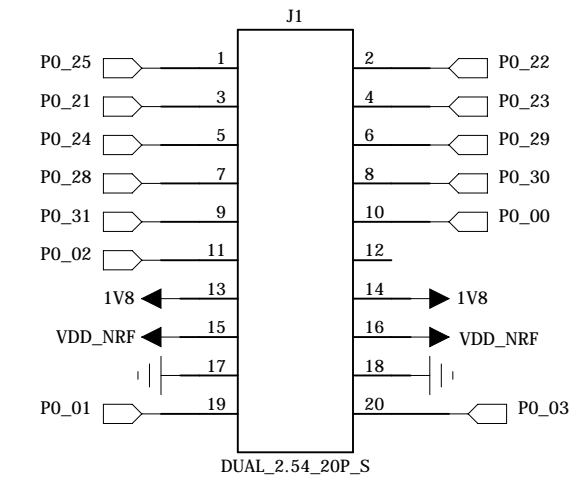
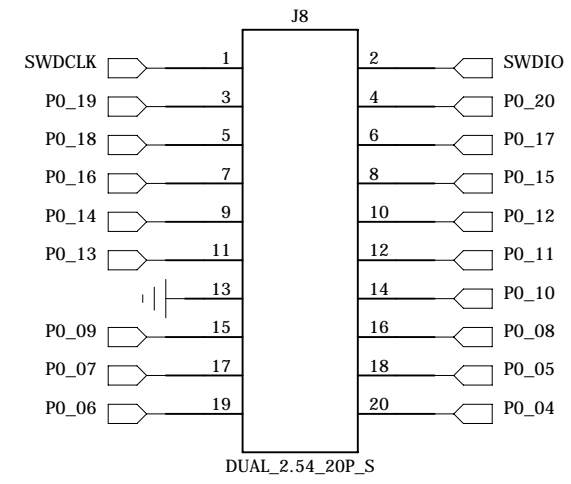


Note
Supply 1.8V to DEC2 when operating at 1.8V
(R14 = 0 ohm)

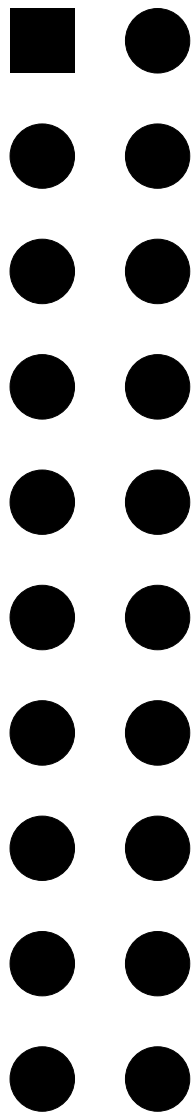
Power Mode

	L6	L7
LDO Mode	X NC	X NC
DC-DC Mode	O 15nH	O 10uH

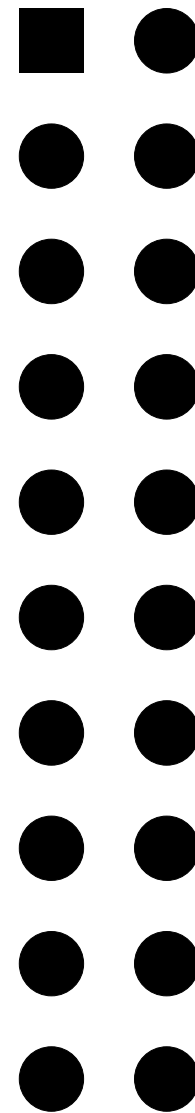
Note
L7 Chip inductor : IDC, min 50mA



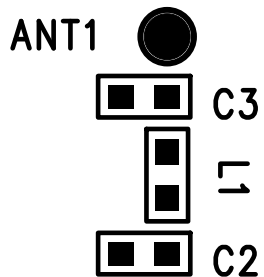
DRAWN:	DATED:	COMPANY: UTOVERTEK			
CHECKED:	DATED:	TITLE: UTO-NBL-51M_SUB_Board Rev 1.0			
APPROVED:	DATED:	CODE:	SIZE: A3	DRAWING NO:	REV: 01
RELEASED:	DATED:	SCALE:			SHEET: 1 OF 1



J8



J1

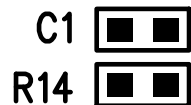


ANT1

C3

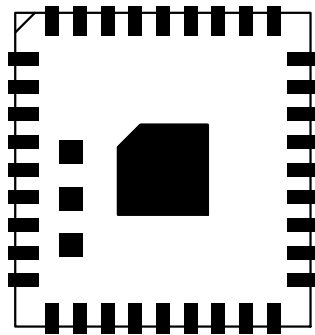
L1

C2

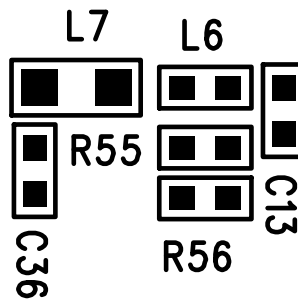


C1

R14



U1



L7

L6

R55

R56

C13

C36

J3

GND

GND

SWDCLK

SWDIO

VCC

